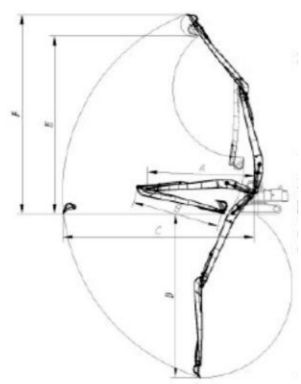


## Long Reach Boom Arm



Long Reach Boom Arm Accessories			
name	Unit	main material	warranty(day)
Boom	1	Q355B	360
Arm	1	Q355B	360
Bucket	1	Q355B	90
Bucket cylinder	1	-	180
Linkage assembly	1	Q355B	180
Pin	6	40Cr	0
High-pressure hose	9	4 layers wire ring	0
Lubrication pipe	5	1 layer wire ring	0
Steel tube	6	20#steel	0

	11-15T	20-25T	20-30T	35-40T	40-45T	40-50T
Weight						
Total Length(mm)	13000	15400	18000	20000	22000	24000
Boom(A)(mm)	7250	8220	10000	11000	12000	13000
Arm(B)(mm)	5750	7180	8000	9000	10000	11000
Maximum Digging Radius(C)(mm)	11200	14500	17300	19200	21300	23000
Maximum Digging Depth(D)(mm)	9000	11300	13000	14900	16000	17900
Maximum Unloading Height(E)(mm)	7550	10400	11800	12900	14000	15200
Maximum Digging Height(F)(mm)	9350	12600	14000	15200	17000	18100
Bucket Volume(m <sup>3</sup> )	0.15-0.3	0.4-0.6	0.4-0.7	0.6-1.2	0.5-1.0	0.5-1.1

### Product description:

1. Arm cylinder use the original one to save cost, we can provide one if needed.

### 2. Product advantages:

Good quality as better material, experienced worker and professional engineer.

Supply customization service according to customer requirements.

Max work range and the max digging height are larger as angle of boom and arm can reach 163 degrees.

3. Working conditions: municipal engineering, subway construction, river dredging, reservoir cleaning and other water conservancy projects.

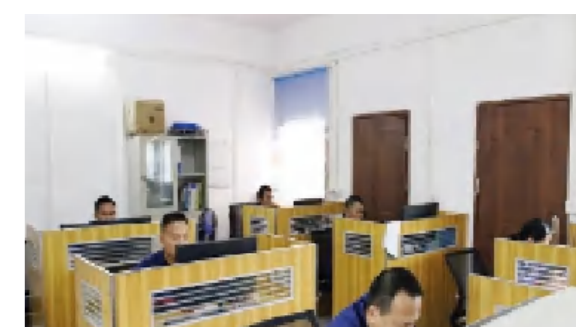


## Factory advantage



### 14000m<sup>2</sup> Workshop

We have more than 14000m<sup>2</sup> steel structure standard workshops with a large number of high precision processing equipment.



### R&D Team

1. Match all brand excavator.
2. Color, length, material can do according to you.
3. Extra pipeline can be added to suit to some extra application.



### Experienced Workers

There are more than 60 skillful staffs, 30 welding workers with over 5 years welding experience.



### Customization

We use precision drawing software to achieve the max working range under the premise of safe operation.



### Prompt Lead Time

1. Our lead time is 7-15 days.  
2. Our annual output of various types of excavator boom arms can reach 600 sets.



### Excellent Service

1. Online support within 24 hours.  
2. Appointment video technical support. (Our engineers have focused on excavator boom and attachment over 10 years)

## Product Advantages

ZHONGHE triple quality control system

The first system is the technical design drawing review mechanism,

The second system is the semi-finished product review mechanism, (each process has a detection testing for the previous process.)

The third system is the finished product testing. (Before painting, the overall inspection is carried out to check whether the design size matches the welding size and whether the installation size meets the design requirement.)

To sum up, every single ZHONGHE product has passed the above three-stage inspection system to ensure that is qualified before shipping.



Large double-sided floor boring machine



CNC plasma cutting machine



Automatic edge milling machine



Environmentally friendly spray booth

## CE certification & Utility model patent certificates



### Strong and Sturdy

Built-in reinforcing ribs. Professional welding skills towards the different bearing positions. Steel plate chamfering bevels before welding.



### Less maintenance

Using high quality materials, such as LG700 as default, LG900 optional, Ningbo connectors, seamless precision pipelines, graphite alloy copper sleeve, and strong but light bucket cylinder.



### Reach deeper and higher

Max work range and the max digging height are larger as angle of long reach boom arm can reach 163 degrees.



### High effective and save fuel

The back and forth expansion time is about 10 seconds. LG900 is optional, with 10% weight reduction, higher strength and lower fuel consumption.

## Product practical application



## Product practical application

